



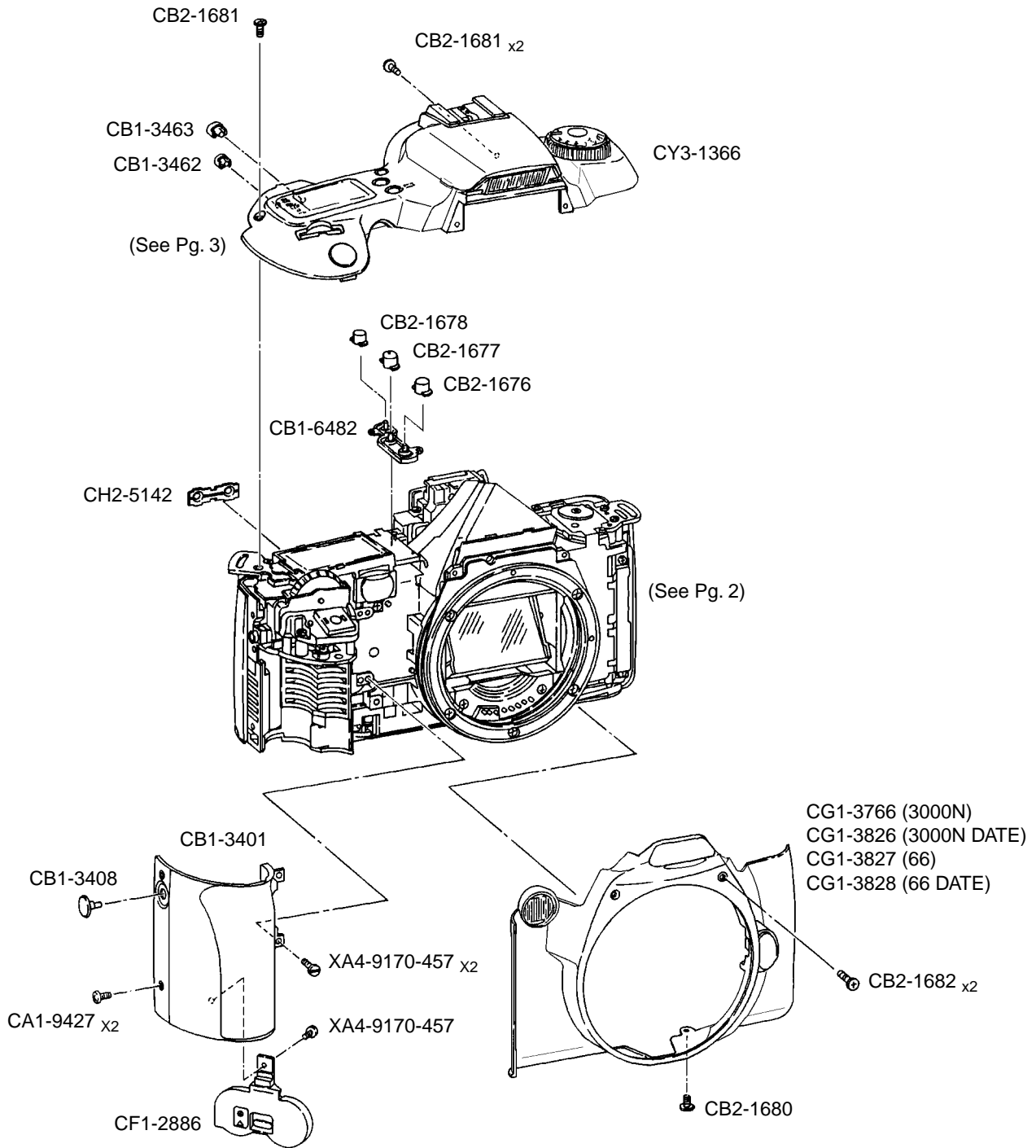
EOS 3000N	REF.NO.C12-8476
EOS 3000N DATE	C12-8477
EOS 66	C12-8478
EOS 66 DATE	C12-8479

PARTS CATALOG

<u>CODE</u>	<u>Country of Origin</u>
C	CANON INC.
CMT	CANON INC. MADE IN TAIWAN

CANON EOS 3000N / 3000N DATE
EOS 66 / 66 DATE

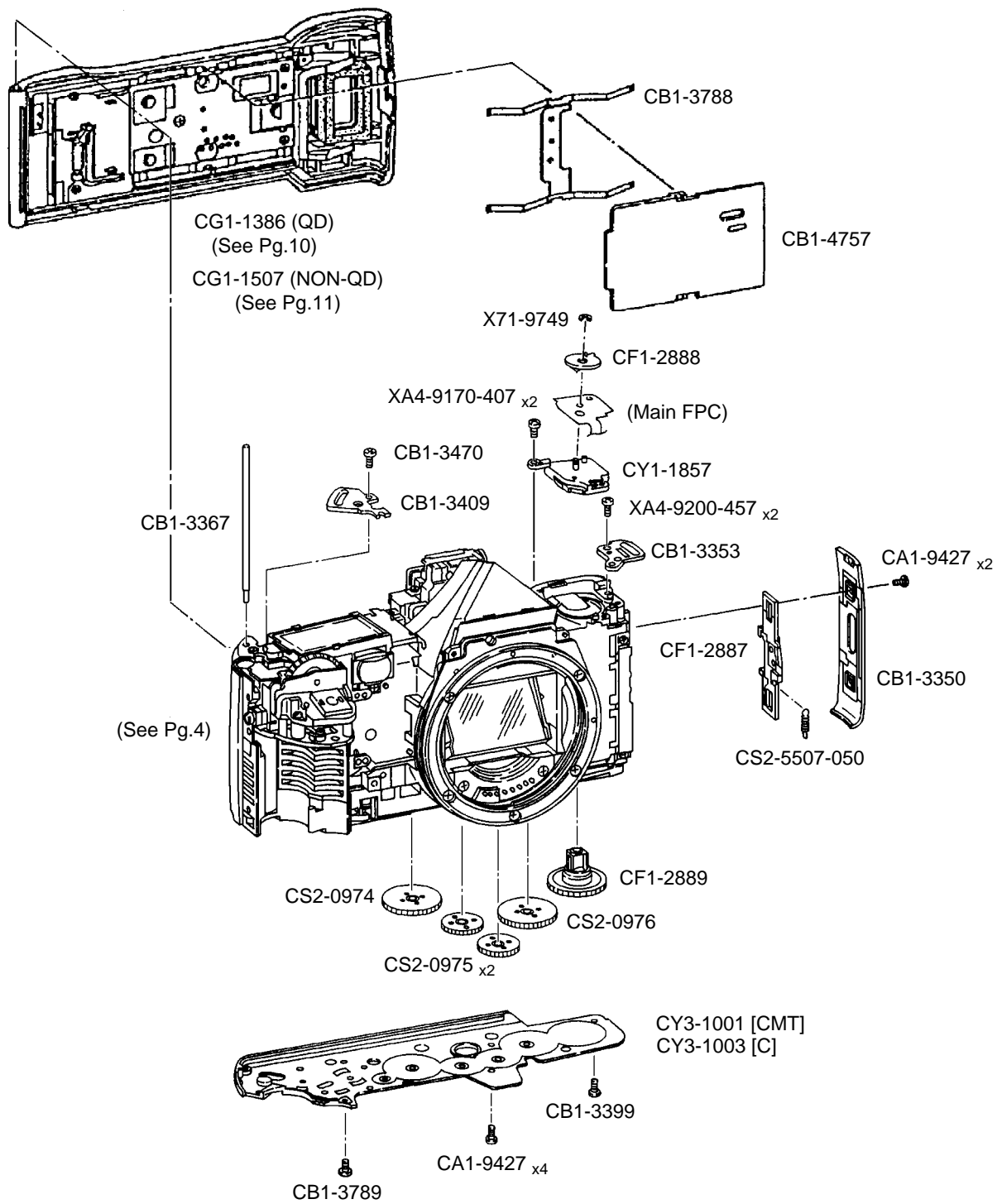
REF. NO. C12-8476 / 8477
REF. NO. C12-8478 / 8479



PARTS LIST

REF. NO. C12-8476/8477
C12-8478/8479

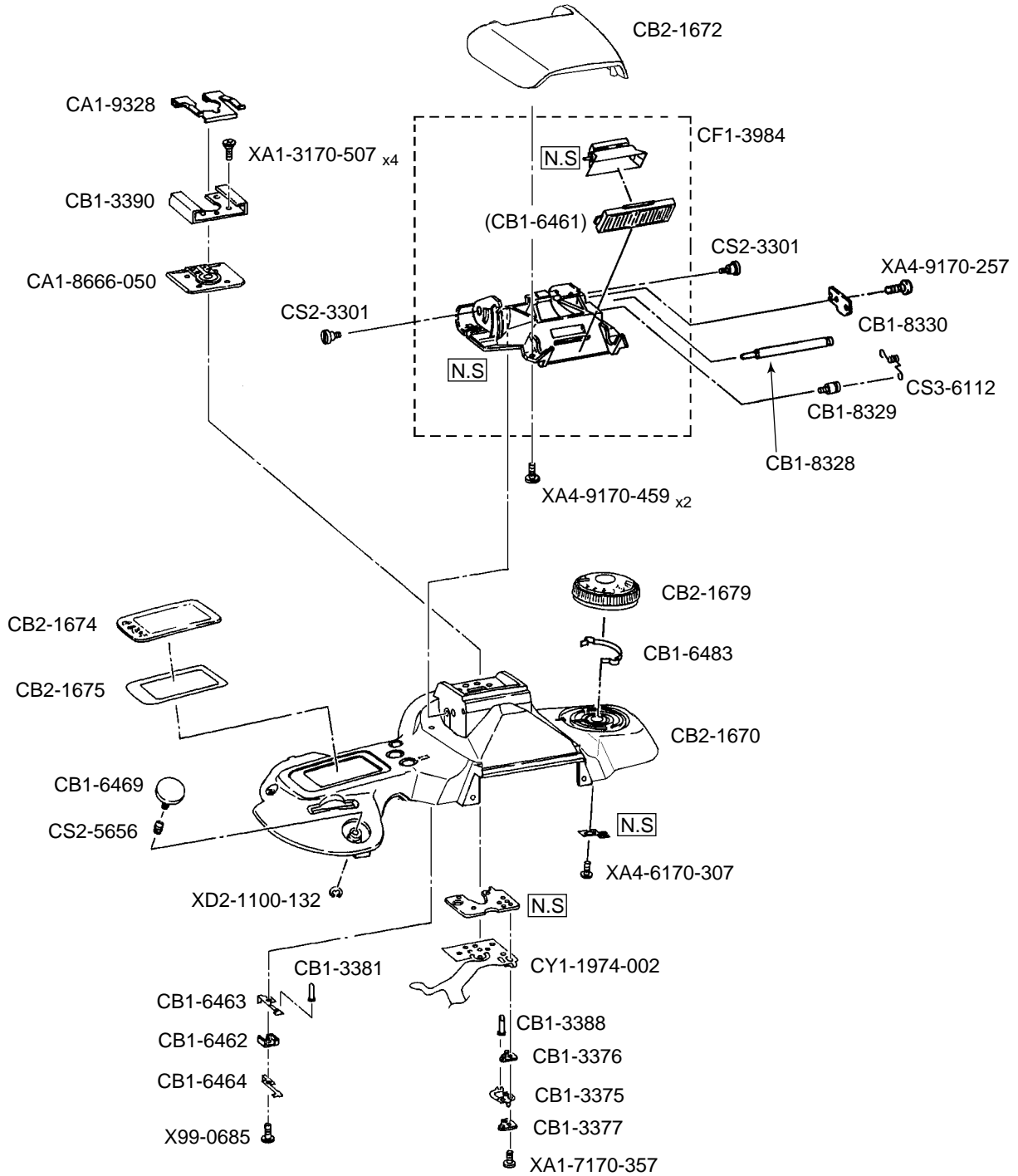
NEW	PARTS NO.	CLASS	QTY	DESCRIPTION
	CA1-9427-000 000	F	2	SCREW, CROSS-RECESS, PH
	CB1-3401-000 000	D	1	GRIP
	CB1-3408-000 000	C	1	CAP, REMOTE
	CB1-3462-000 000	D	1	BUTTON, EXPOSURE
	CB1-3463-000 000	D	1	BUTTON, AE LOCK
	CB1-6482-000 000	E	1	CONTACT, RUBBER
*	CB2-1676-000 000	C	1	BUTTON, AF SELECT
*	CB2-1677-000 000	C	1	BUTTON, FUNCTION
*	CB2-1678-000 000	C	1	BUTTON, SELF-TIMER
*	CB2-1680-000 000	F	1	SCREW, CROSS-RECESS, PH
*	CB2-1681-000 000	F	3	SCREW, CROSS-RECESS, PH
*	CB2-1682-000 000	F	2	SCREW, CROSS-RECESS, PH
	CF1-2886-000 000	D	1	BATTERY COVER ASS'Y
*	CG1-3766-000 000	C	1	COVER ASS'Y, FRONT (3000N)
*	CG1-3826-000 000	C	1	COVER ASS'Y, FRONT (3000N DATE)
*	CG1-3827-000 000	C	1	COVER ASS'Y, FRONT (66)
*	CG1-3828-000 000	C	1	COVER ASS'Y, FRONT (66 DATE)
	CH2-5142-000 000	D	1	CONTACT, RUBBER
*	CY3-1366-000 000	C	1	COVER ASS'Y, TOP
	XA4-9170-457 000	F	3	SCREW, CROSS-RECESS, PH



PARTS LIST

REF. NO. C12-8476/8477
C12-8478/8479

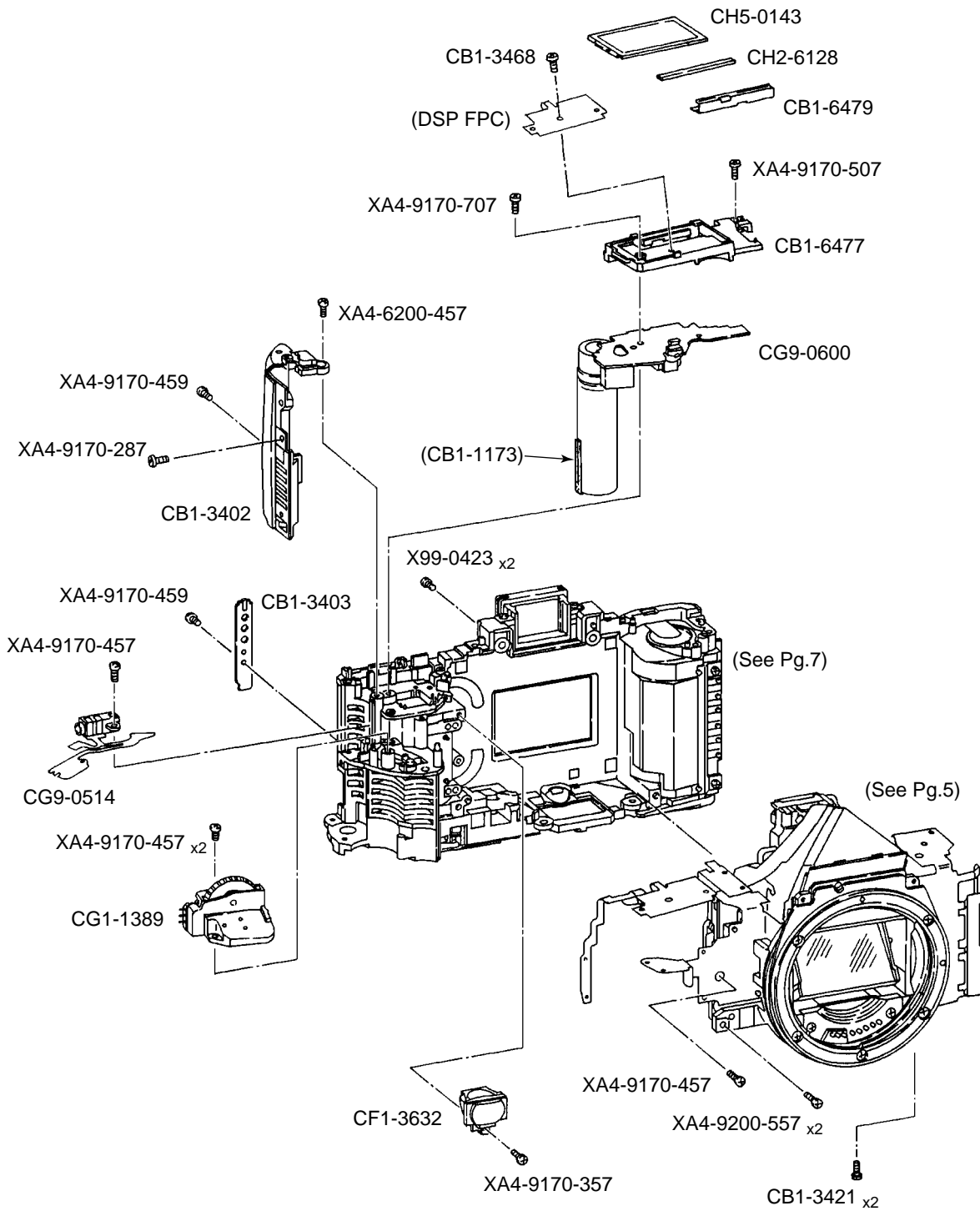
NEW	PARTS NO.	CLASS	QTY	DESCRIPTION
	CA1-9427-000 000	F	6	SCREW, CROSS-RECESS, PH
	CB1-3350-000 000	C	1	COVER, LATCH
	CB1-3353-000 000	E	1	LUG, NECK STRAP (LEFT)
	CB1-3367-000 000	E	1	HINGE (BACK COVER)
	CB1-3399-000 000	F	1	SCREW, CROSS-RECESS, PH
	CB1-3409-000 000	E	1	LUG, NECK STRAP (RIGHT)
	CB1-3470-000 000	F	1	SCREW, CROSS-RECESS, PH
	CB1-3788-000 000	D	1	SPRING, PLATE PRESSURE
	CB1-3789-000 000	F	1	SCREW, CROSS-RECESS, PH
	CB1-4757-000 000	D	1	PLATE, PRESSURE
	CF1-2887-000 000	D	1	LEVER, LATCH
	CF1-2888-000 000	E	1	CONTACT, MODE
	CF1-2889-000 000	E	1	FORK ASS'Y
	CG1-1386-000 000	D	1	QD BACK COVER ASS'Y
	CG1-1507-000 000	D	1	BACK COVER ASS'Y
	CS2-0974-000 000	E	1	GEAR, REWIND 1
	CS2-0975-000 000	E	2	GEAR, REWIND 2
	CS2-0976-000 000	E	1	GEAR, REWIND 3
	CS2-5507-050 000	E	1	SPRING, BACK COVER LATCH
	CY1-1857-000 000	E	1	MODE SWITCH BASE UNIT
	CY3-1001-000 000	C	1	COVER, BASE [CMT]
	CY3-1003-000 000	C	1	COVER, BASE [C]
	X71-9749-000 000	B	1	RETAINER
	XA4-9170-407 000	F	2	SCREW, CROSS-RECESS, PH
	XA4-9200-457 000	F	2	SCREW, CROSS-RECESS, PH



PARTS LIST

REF. NO. C12-8476/8477
C12-8478/8479

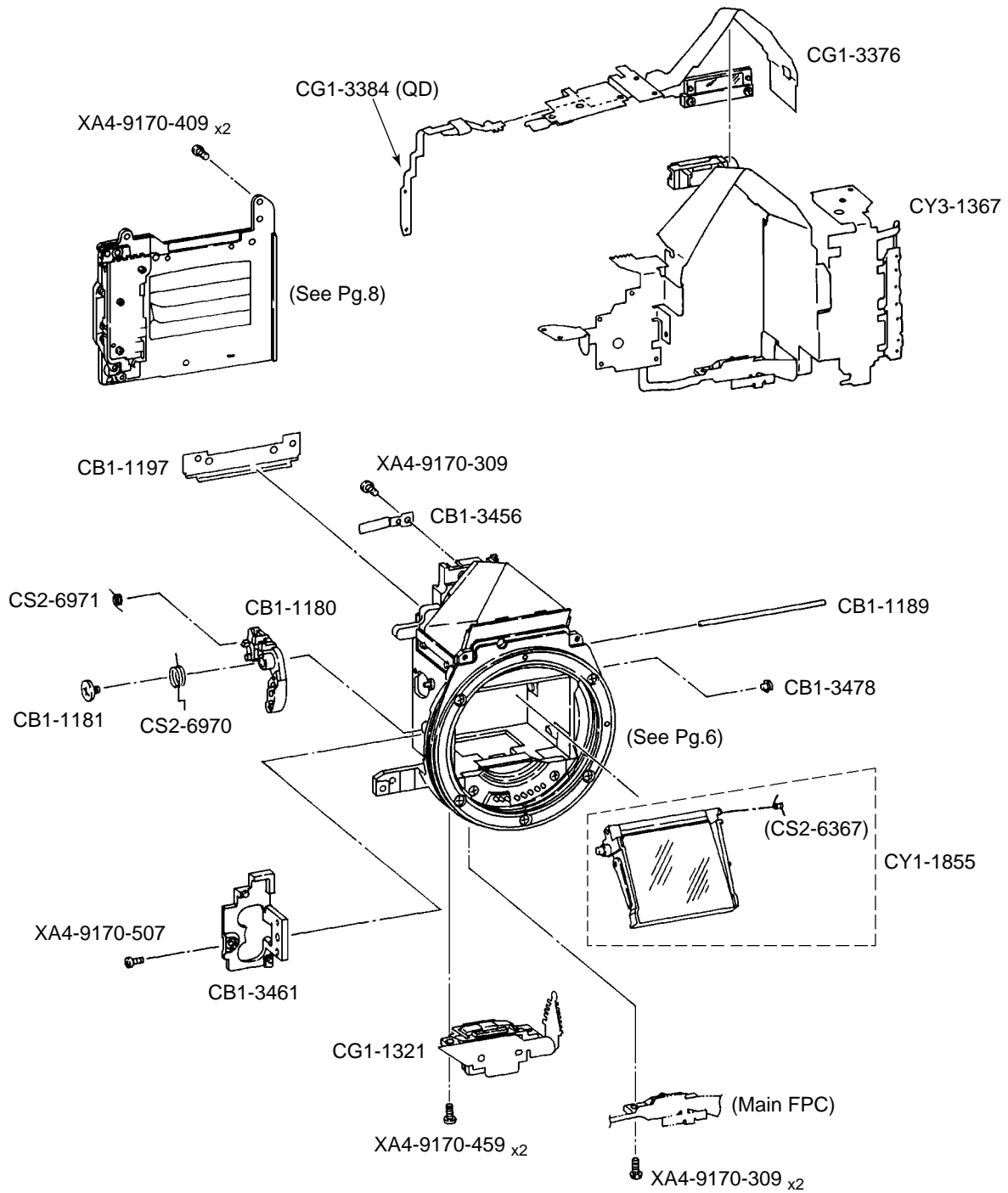
NEW	PARTS NO.	CLASS	QTY	DESCRIPTION
	CA1-8666-050 000	E	1	BASE, ACC. SHOE
	CA1-9328-000 000	C	1	SPRING, PLATE
	CB1-3375-000 000	E	1	CONTACT, SHOE IN USE
	CB1-3376-000 000	E	1	CONTACT, SHOE IN USE 1
	CB1-3377-000 000	E	1	CONTACT, SHOE IN USE 2
	CB1-3381-000 000	D	1	PIN, POP DOWN
	CB1-3388-000 000	E	1	PIN, ACCESSORY SHOE
	CB1-3390-000 000	D	1	SHOE ACCESSORY
	CB1-6461-000 000	D	1	PANEL, FLASH
	CB1-6462-000 000	E	1	BASE, POP-END SWITCH
	CB1-6463-000 000	E	1	CONTACT, POP-END 1
	CB1-6464-000 000	E	1	CONTACT, POP-END 2
	CB1-6469-000 000	D	1	BUTTON, RELEASE
	CB1-6483-000 000	E	1	CLICK SPRING, MODE DIAL
	CB1-8328-000 000	D	1	SHAFT, ST STOPPER
	CB1-8329-000 000	D	1	SCREW, SPRING HANGER
	CB1-8330-000 000	D	1	HOLDER, SPRING
*	CB2-1670-000 000	C	1	COVER, TOP
*	CB2-1672-000 000	C	1	COVER, FLASH
*	CB2-1674-000 000	D	1	WINDOW, OUTSIDE LCD
*	CB2-1675-000 000	D	1	TAPE, DOUBLE-SIDED
*	CB2-1679-000 000	C	1	DIAL, MODE
*	CF1-3984-000 000	C	1	FLASH HEAD ASS'Y
	CS2-3301-000 000	F	2	SCREW, CROSS-RECESS, PH
	CS2-5656-000 000	D	1	SPRING, RELEASE
	CS3-6112-000 000	D	1	SPRING, POP UP
	CY1-1974-002 000	D	1	FPC ASS'Y, TOP
	X99-0685-000 000	F	1	SCREW, CROSS-RECESS, PH
	XA1-3170-507 000	F	4	SCREW, CROSS-RECESS, FCH
	XA1-7170-357 000	F	1	SCREW, CROSS-RECESS, PH
	XA4-6170-307 000	F	1	SCREW, CROSS-RECESS, PH
	XA4-9170-257 000	F	1	SCREW, CROSS-RECESS, PH
	XA4-9170-459 000	F	2	SCREW, CROSS-RECESS, PH
	XD2-1100-132 000	F	1	WASHER, RETAINING 1.3MM



PARTS LIST

REF. NO. C12-8476/8477
C12-8478/8479

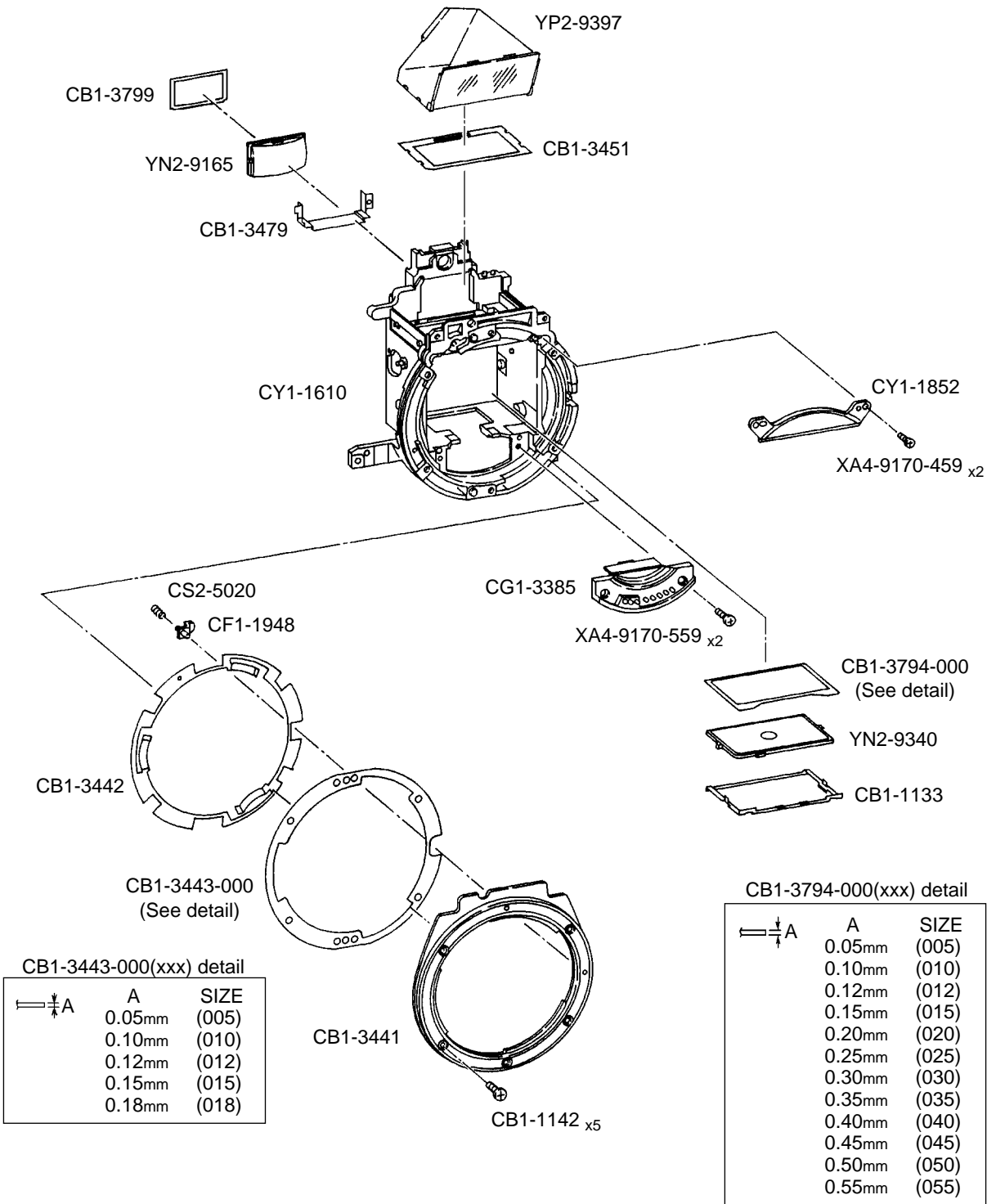
NEW	PARTS NO.	CLASS	QTY	DESCRIPTION
	CB1-1173-000 000	D	1	SHIELD, LIGHT
	CB1-3402-000 000	D	1	COVER, HINGE
	CB1-3403-000 000	E	1	COVER, DATE CONTACT
	CB1-3421-000 000	F	2	SCREW, CROSS-RECESS, PH
	CB1-3468-000 000	E	1	SCREW, CROSS-RECESS, PH
	CB1-6477-000 000	E	1	CASE, OUTSIDE LCD
	CB1-6479-000 000	E	1	HOLDER, OUTSIDE LCD
	CF1-3632-000 000	D	1	AF LED ASS'Y
	CG1-1389-000 000	E	1	DIAL ASS'Y
	CG9-0514-000 000	D	1	FPC ASS'Y, RELEASE
*	CG9-0600-000 000	C	1	PCB ASS'Y, FLASH
	CH2-6128-000 000	E	1	CONNECTOR, OUTSIDE LCD
	CH5-0143-000 000	C	1	LCD, OUTSIDE
	X99-0423-000 000	F	2	SCREW, CROSS-RECESS, PH
	XA4-6200-457 000	F	1	SCREW, CROSS-RECESS, PH
	XA4-9170-287 000	F	1	SCREW, CROSS-RECESS, PH
	XA4-9170-357 000	F	1	SCREW, CROSS-RECESS, PH
	XA4-9170-457 000	F	4	SCREW, CROSS-RECESS, PH
	XA4-9170-459 000	F	2	SCREW, CROSS-RECESS, PH
	XA4-9170-507 000	F	1	SCREW, CROSS-RECESS, PH
	XA4-9170-707 000	F	1	SCREW, CROSS-RECESS, PH
	XA4-9200-557 000	F	2	SCREW, CROSS-RECESS, PH



PARTS LIST

REF. NO. C12-8476/8477
C12-8478/8479

NEW	PARTS NO.	CLASS	QTY	DESCRIPTION
	CB1-1180-000 000	E	1	LEVER, MIRROR UP
	CB1-1181-000 000	F	1	SCREW, CROSS-RECESS, PH
	CB1-1189-000 000	E	1	HINGE, MAIN MIRROR
	CB1-1197-000 000	E	1	SHIELD, LIGHT
	CB1-3456-000 000	E	1	HOLDER, INSIDE LCD
	CB1-3461-000 000	E	1	WING
	CB1-3478-000 000	D	1	STOPPER, SUB MIRROR
	CG1-1321-000 000	C	1	AUTO FOCUS UNIT
	CG1-3376-000 000	C	1	FPC ASS'Y, DISPLAY
	CG1-3384-000 000	D	1	FPC ASS'Y, DATE
	CS2-6367-000 000	D	1	SPRING, SUB MIRROR
	CS2-6970-000 000	E	1	SPRING, MIRROR UP
	CS2-6971-000 000	E	1	SPRING, MIRROR RETURNING
	CY1-1855-000 000	D	1	MIRROR UNIT
*	CY3-1367-000 000	B	1	PCB ASS'Y, MAIN
	XA4-9170-309 000	F	3	SCREW, CROSS-RECESS, PH
	XA4-9170-409 000	F	2	SCREW, CROSS-RECESS, PH
	XA4-9170-459 000	F	2	SCREW, CROSS-RECESS, PH
	XA4-9170-507 000	F	1	SCREW, CROSS-RECESS, PH



CB1-3443-000(xxx) detail

$\frac{A}{\pm}$	A	SIZE
	0.05mm	(005)
	0.10mm	(010)
	0.12mm	(012)
	0.15mm	(015)
	0.18mm	(018)

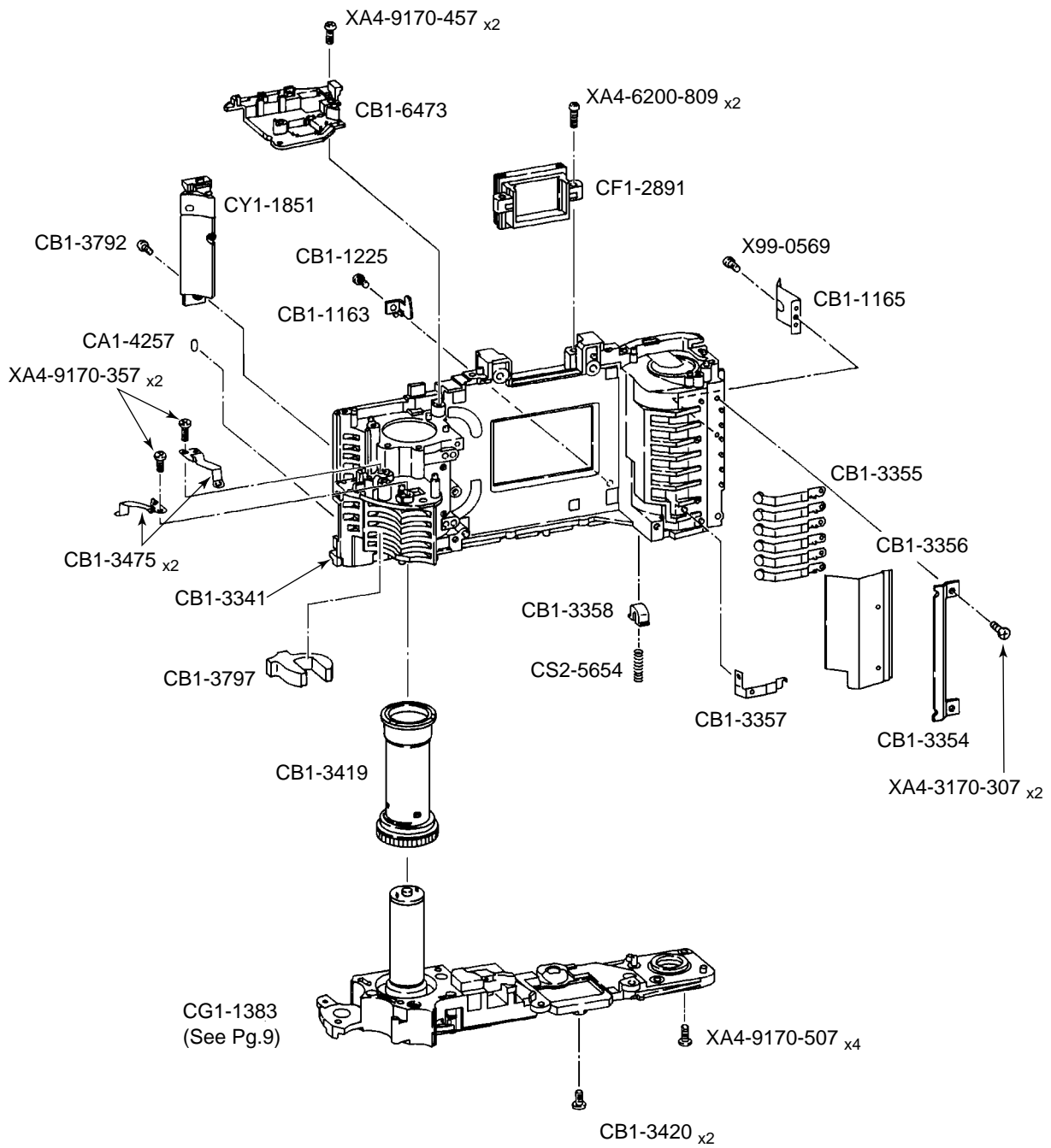
CB1-3794-000(xxx) detail

$\frac{A}{\pm}$	A	SIZE
	0.05mm	(005)
	0.10mm	(010)
	0.12mm	(012)
	0.15mm	(015)
	0.20mm	(020)
	0.25mm	(025)
	0.30mm	(030)
	0.35mm	(035)
	0.40mm	(040)
	0.45mm	(045)
	0.50mm	(050)
	0.55mm	(055)

PARTS LIST

REF. NO. C12-8476/8477
C12-8478/8479

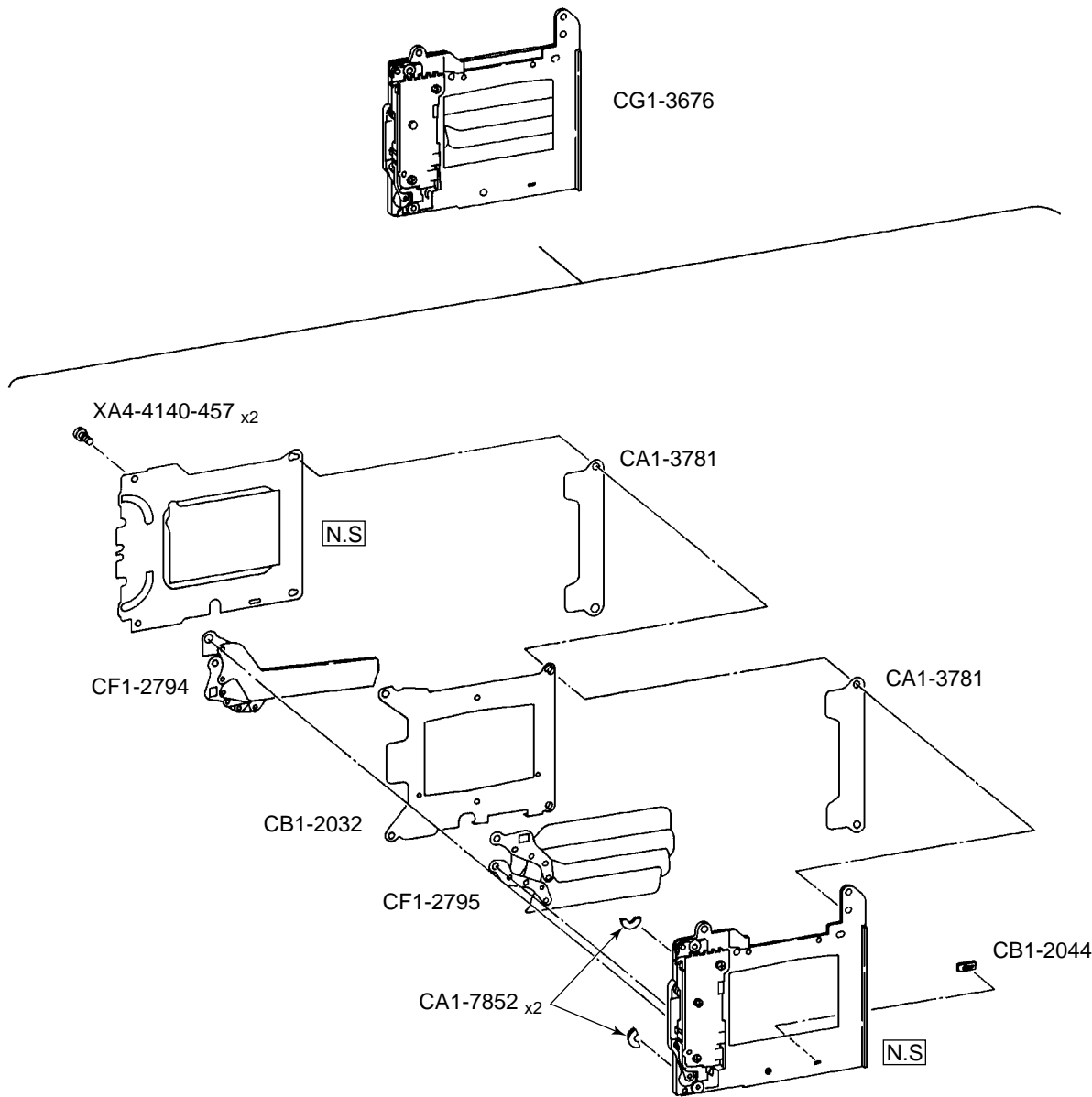
NEW	PARTS NO.	CLASS	QTY	DESCRIPTION
	CB1-1133-000 000	E	1	HOLDER, FOCUSING PLATE
	CB1-1142-000 000	E	5	SCREW, CROSS-RECESS, PH
	CB1-3441-000 000	E	1	MOUNT, BODY
	CB1-3442-000 000	E	1	SPRING, MOUNT
	CB1-3443-000 005	E	1	SPACER, MOUNT
	CB1-3443-000 010	E	1	SPACER, MOUNT
	CB1-3443-000 012	E	1	SPACER, MOUNT
	CB1-3443-000 015	E	1	SPACER, MOUNT
	CB1-3443-000 018	E	1	SPACER, MOUNT
	CB1-3451-000 000	E	1	MASK, FINDER
	CB1-3479-000 000	E	1	SHIELD, EYEPIECE LIGHT
	CB1-3794-000 005	E	1	WASHER, FINDER BACK ADJUST
	CB1-3794-000 010	E	1	WASHER, FINDER BACK ADJUST
	CB1-3794-000 012	E	1	WASHER, FINDER BACK ADJUST
	CB1-3794-000 015	E	1	WASHER, FINDER BACK ADJUST
	CB1-3794-000 020	E	1	WASHER, FINDER BACK ADJUST
	CB1-3794-000 025	E	1	WASHER, FINDER BACK ADJUST
	CB1-3794-000 030	E	1	WASHER, FINDER BACK ADJUST
	CB1-3794-000 035	E	1	WASHER, FINDER BACK ADJUST
	CB1-3794-000 040	E	1	WASHER, FINDER BACK ADJUST
	CB1-3794-000 045	D	1	WASHER, FINDER BACK ADJUST
	CB1-3794-000 050	D	1	WASHER, FINDER BACK ADJUST
	CB1-3794-000 055	D	1	WASHER, FINDER BACK ADJUST
	CB1-3799-000 000	E	1	EYEPIECE MASK
	CF1-1948-000 000	E	1	LEVER, LENS LOCK
	CG1-3385-000 000	D	1	MOUNT CONTACT UNIT
	CS2-5020-000 000	E	1	SPRING, COIL
	CY1-1610-000 000	E	1	MIRROR BOX UNIT
	CY1-1852-000 000	E	1	PLATE, PROTECTION
	XA4-9170-459 000	F	2	SCREW, CROSS-RECESS, PH
	XA4-9170-559 000	F	2	SCREW, CROSS-RECESS, PH
	YN2-9165-000 000	E	1	EYEPIECE, FRONT
	YN2-9340-000 000	D	1	SCREEN, FOCUSING
	YP2-9397-000 000	C	1	PENTAMIRROR ASS'Y



PARTS LIST

REF. NO. C12-8476/8477
C12-8478/8479

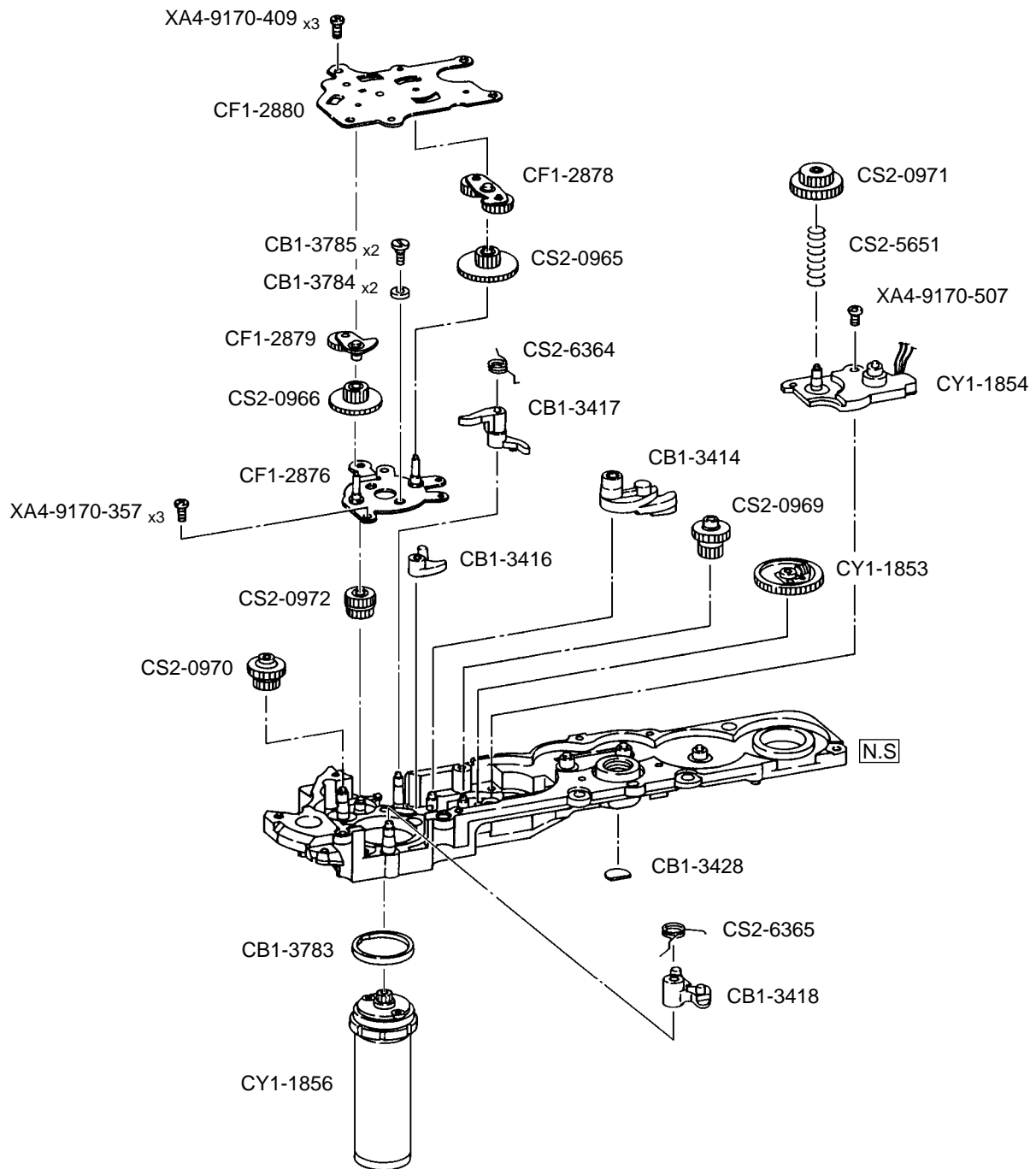
NEW	PARTS NO.	CLASS	QTY	DESCRIPTION
	CA1-4257-000 000	D	1	SEAL, FILM
	CB1-1163-000 000	E	1	JAW, FILM CARTRIDGE
	CB1-1165-000 000	D	1	GUIDE, FILM CARTRIDGE
	CB1-1225-000 000	E	1	SCREW, CROSS-RECESS, PH
	CB1-3341-000 000	E	1	BODY
	CB1-3354-000 000	E	1	HOLDER, DX
	CB1-3355-000 000	E	1	CONTACT, DX
	CB1-3356-000 000	E	1	COVER, DX
	CB1-3357-000 000	E	1	CONTACT, FILM CARTRIDGE
	CB1-3358-000 000	E	1	LEVER, FILM CARTRIDGE UP
	CB1-3419-000 000	E	1	SPOOL
	CB1-3420-000 000	F	2	SCREW, CROSS-RECESS, PH
	CB1-3475-000 000	E	2	CONTACT, BATTERY
	CB1-3792-000 000	F	1	SCREW, CROSS-RECESS, PH
	CB1-3797-000 000	E	1	CUSHION
	CB1-6473-000 000	E	1	BASE, SPOOL
	CF1-2891-000 000	E	1	EYEPiece ASS'Y
	CG1-1383-000 000	D	1	BOTTOM PLATE ASS'Y
	CS2-5654-000 000	E	1	SPRING, FILM CARTRIDGE UP
	CY1-1851-000 000	E	1	SIGNAL ASS'Y
	X99-0569-000 000	F	1	SCREW, CROSS-RECESS, PH
	XA4-3170-307 000	F	2	SCREW, CROSS-RECESS, PH
	XA4-6200-809 000	F	2	SCREW, CROSS-RECESS, PH
	XA4-9170-357 000	F	2	SCREW, CROSS-RECESS, PH
	XA4-9170-457 000	F	2	SCREW, CROSS-RECESS, PH
	XA4-9170-507 000	F	4	SCREW, CROSS-RECESS, PH



PARTS LIST

REF. NO. C12-8476/8477
C12-8478/8479

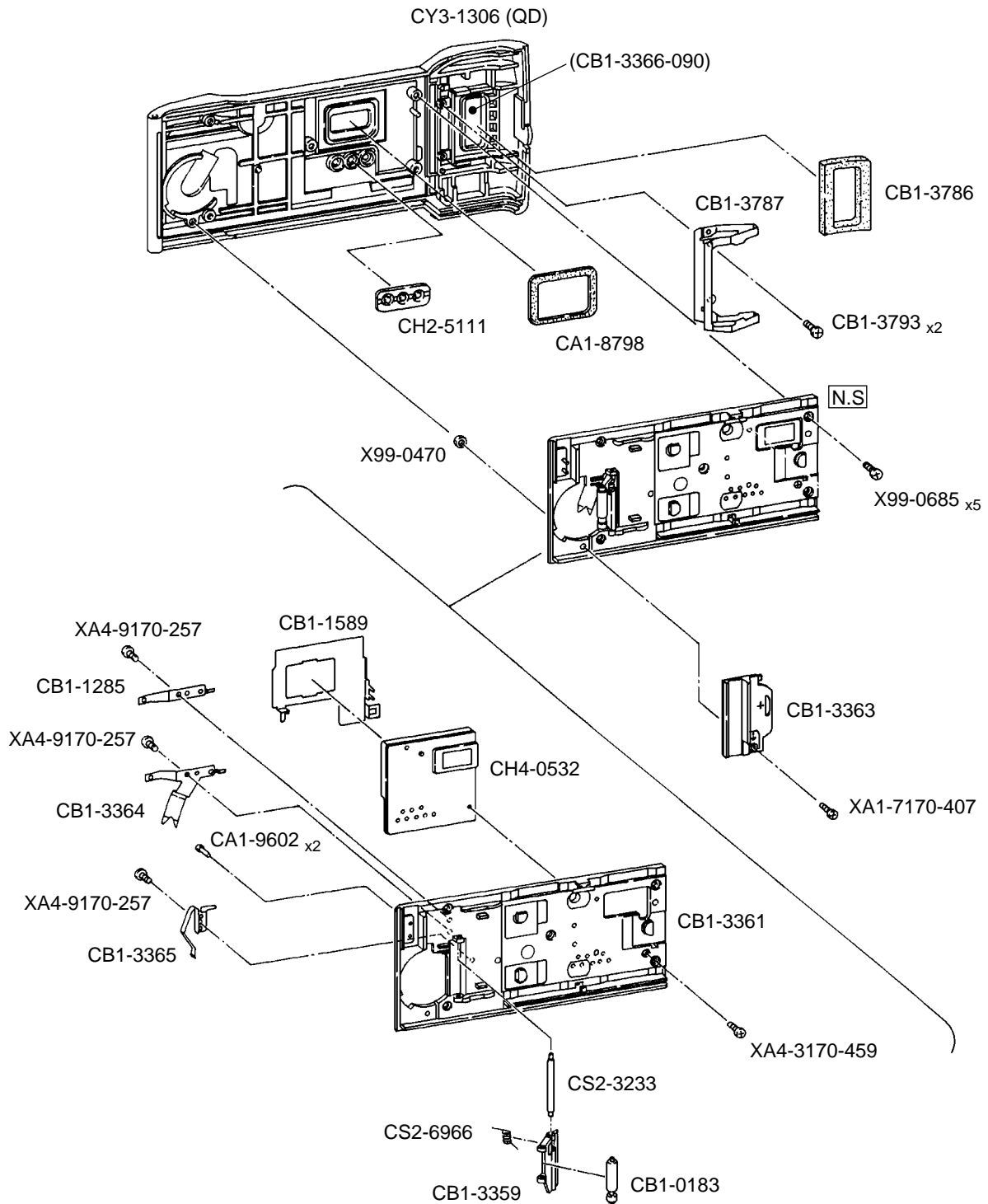
NEW	PARTS NO.	CLASS	QTY	DESCRIPTION
	CA1-3781-000 000	E	2	SPACER
	CA1-7852-000 000	E	2	STOPPER
	CB1-2032-000 000	E	1	PLATE, SEPARATOR
	CB1-2044-000 000	E	1	STOPPER-B, RUBBER
	CF1-2794-000 000	C	1	CURTAIN, 1ST SHUTTER
	CF1-2795-000 000	C	1	CURTAIN, 2ND SHUTTER
	CG1-3676-000 000	C	1	SHUTTER UNIT
	XA4-4140-457 000	F	2	SCREW, CROSS-RECESS, PH



PARTS LIST

REF. NO. C12-8476/8477
C12-8478/8479

NEW	PARTS NO.	CLASS	QTY	DESCRIPTION
	CB1-3414-000 000	E	1	LEVER, CHARGE
	CB1-3416-000 000	E	1	LEVER-1, RESET
	CB1-3417-000 000	E	1	LEVER-2, RESET
	CB1-3418-000 000	E	1	LEVER, BACK COVER
	CB1-3428-000 000	E	1	COVER, TRIPOD
	CB1-3783-000 000	E	1	RUBBER, GEAR HEAD MOTOR
	CB1-3784-000 000	F	2	SPACER
	CB1-3785-000 000	F	2	SCREW, CROSS-RECESS, PH
	CF1-2876-000 000	E	1	GEAR COVER ASS'Y
	CF1-2878-000 000	E	1	ARM 1, PLANETARY
	CF1-2879-000 000	E	1	ARM 2, PLANETARY
	CF1-2880-000 000	E	1	LOWER COVER ASS'Y
	CS2-0965-000 000	E	1	GEAR, CHARGE SUN
	CS2-0966-000 000	E	1	GEAR, PREWIND SUN
	CS2-0969-000 000	E	1	GEAR, CHARGE TRANSFER
	CS2-0970-000 000	E	1	GEAR, PREWIND TRANSFER
	CS2-0971-000 000	E	1	GEAR, REWIND TRANSFER
	CS2-0972-000 000	E	1	GEAR, SPOOL TRANSFER
	CS2-5651-000 000	E	1	SPRING, REWIND FRICTION
	CS2-6364-000 000	E	1	SPRING, RESET
	CS2-6365-000 000	E	1	SPRING, BACK COVER RESET
	CY1-1853-000 000	D	1	CAM GEAR ASS'Y
	CY1-1854-000 000	D	1	COVER ASS'Y, SIGNAL
	CY1-1856-000 000	D	1	MOTOR ASS'Y
	XA4-9170-357 000	F	3	SCREW, CROSS-RECESS, PH
	XA4-9170-409 000	F	3	SCREW, CROSS-RECESS, PH
	XA4-9170-507 000	F	1	SCREW, CROSS-RECESS, PH



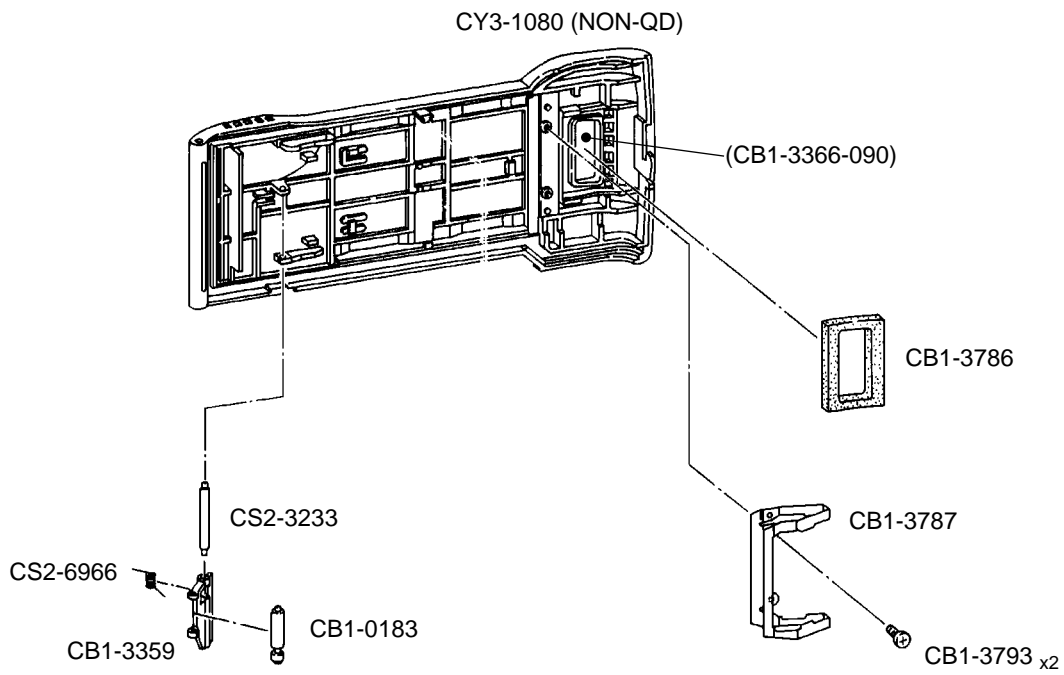
PARTS LIST

REF. NO. C12-8477
C12-8479

NEW	PARTS NO.	CLASS	QTY	DESCRIPTION
	CA1-8798-000 000	E	1	LIGHT SHIELD, DATE WINDOW
	CA1-9602-000 000	D	2	PIN, CONTACT
	CB1-0183-000 000	D	1	ROLLER-1, BACK COVER GUIDE
	CB1-1285-000 000	E	1	CONTACT, DATE SIGNAL
	CB1-1589-000 000	E	1	PLATE, DATE SHIELD
	CB1-3359-000 000	E	1	HOLDER, ROLLER
	CB1-3361-000 000	E	1	COVER, DATE INNER
	CB1-3363-000 000	E	1	COVER, BATTERY
	CB1-3364-000 000	E	1	CONTACT, BATTERY (-)
	CB1-3365-000 000	E	1	CONTACT, BATTERY (+)
	CB1-3366-090 000	E	1	WINDOW, FILM
	CB1-3786-000 000	E	1	SHIELD, LIGHT
	CB1-3787-000 000	E	1	SPRING, CARTRIDGE
	CB1-3793-000 000	D	2	SCREW, CROSS-RECESS, PH
	CH2-5111-000 000	E	1	SWITCH, DATE
	CH4-0532-000 000	E	1	DATE CBA
	CS2-3233-000 000	E	1	SHAFT, ROLLER HOLDER
	CS2-6966-000 000	E	1	SPRING, ROLLER
	CY3-1306-000 000	C	1	BACK COVER UNIT (QD)
	X99-0470-000 000	F	1	NUT
	X99-0685-000 000	F	5	SCREW, CROSS-RECESS, PH
	XA1-7170-407 000	F	1	SCREW, CROSS-RECESS, PH
	XA4-3170-459 000	F	1	SCREW, CROSS-RECESS, FCH
	XA4-9170-257 000	F	3	SCREW, CROSS-RECESS, PH

CANON EOS 3000N
EOS 66

REF. NO. C12-8476
REF. NO. C12-8478



PARTS LIST

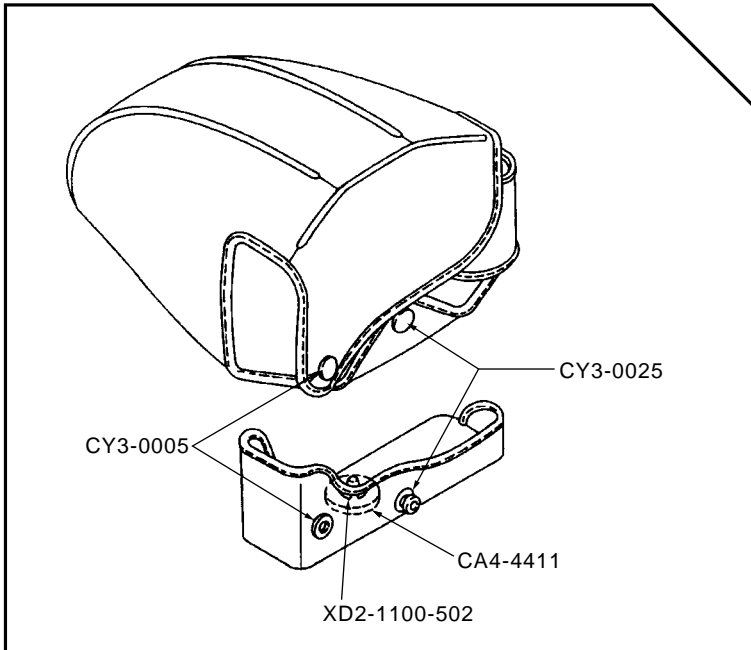
REF. NO. C12-8476
C12-8478

NEW	PARTS NO.	CLASS	QTY	DESCRIPTION
	CB1-0183-000 000	D	1	ROLLER-1, BACK COVER GUIDE
	CB1-3359-000 000	E	1	HOLDER, ROLLER
	CB1-3366-090 000	E	1	WINDOW, FILM
	CB1-3786-000 000	E	1	SHIELD, LIGHT
	CB1-3787-000 000	E	1	SPRING, CARTRIDGE
	CB1-3793-000 000	D	2	SCREW, CROSS-RECESS, PH
	CS2-3233-000 000	E	1	SHAFT, ROLLER HOLDER
	CS2-6966-000 000	E	1	SPRING, ROLLER
	CY3-1080-000 000	D	1	COVER, BACK (NON-QD)

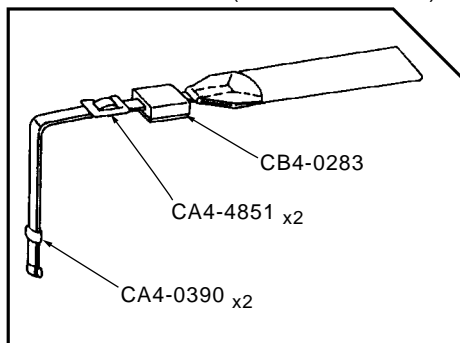
CANON EOS 3000N / 3000N DATE
EOS 66 / 66 DATE
(ACCESSORY)

REF. NO. C12-8476 / 8477
REF. NO. C12-8478 / 8479

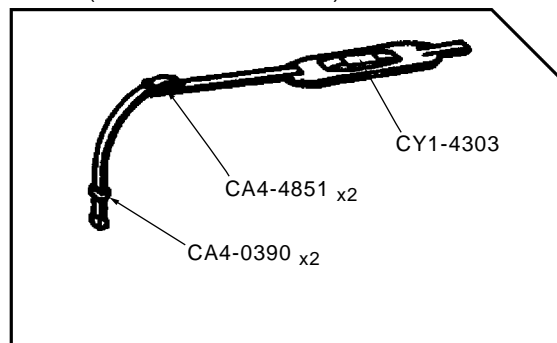
C46-2161 SEMI HARD CASE EH8N-L
C46-2171 SEMI HARD CASE EH8N-LL



C56-1611 WIDE STRAP EW-100BM
(EOS 66 & DATE)



C56-1291 NECK STRAP 17
(EOS 3000N & DATE)



PARTS LIST

REF. NO. C46-2161 **SEMI HARD CASE EH8N-L**
 C46-2171 **SEMI HARD CASE EH8N-LL**

NEW	PARTS NO.	CLASS	QTY	DESCRIPTION
	CA4-4411-000 000	E	1	SCREW, TIGHTENING
	CY3-0005-000 000	E	1	HOOK
	CY3-0025-000 000	E	1	HOOK
	XD2-1100-502 000	F	1	E RING

REF. NO. C56-1611 **WIDE STRAP EW-100BM**

NEW	PARTS NO.	CLASS	QTY	DESCRIPTION
	CA4-0390-000 000	E	2	LOOP
	CA4-4851-000 000	E	2	CLASP
	CB4-0283-000 000	E	1	CAP, EYEPIECE

REF. NO. C56-1291 **NECK STRAP 17**

NEW	PARTS NO.	CLASS	QTY	DESCRIPTION
	CA4-0390-000 000	E	2	LOOP
	CA4-4851-000 000	E	2	CLASP
*	CY1-4303-000 000	C	1	CAP, EYEPIECE

ELECTRIC PARTS LIST

REF. NO. C12-8476/8477
C12-8478/8479

NEW	SYMBOL	PARTS NO.	DESCRIPTION	REMARK
	EF IC	CH4-0641-000 000	EF IC, LC4090	
	AE IC	CH4-0642-000 000	AE IC, LC4089	
	T-MOS	WA2-5620-000 000	MOS-FET, SFX50	
	DC/DC IC	WA4-5457-000 000	DC/DC IC, MB3776APNF	
	MOTOR DR	WA4-6332-000 000	MOTOR DRIVER, MPC17A10SVM	
		Y11-3402-000 000	LEAD	BLACK
		Y11-3403-000 000	LEAD	RED
		Y11-3702-000 000	LEAD	BLACK
		Y11-3703-000 000	LEAD	RED
		Y11-3901-000 000	LEAD	WHITE
		Y11-3902-000 000	LEAD	BLACK
		Y11-3903-000 000	LEAD	RED
		Y11-3904-000 000	LEAD	PINK
		Y11-3906-000 000	LEAD	ORANGE
		Y11-3907-000 000	LEAD	YELLOW
		Y11-3909-000 000	LEAD	GREEN
		Y11-3911-000 000	LEAD	BLUE
		Y11-3914-000 000	LEAD	GRAY
		Y11-5001-000 000	LEAD	WHITE
		Y11-5011-000 000	LEAD	BLUE

INDEX OF PARTS LIST

REF. NO. C12-8476/8477
C12-8478/8479

NEW	PARTS NO.	PAGE	NEW	PARTS NO.	PAGE
	CA1-3781-000 000	8		CB1-3367-000 000	2
	CA1-4257-000 000	7		CB1-3375-000 000	3
	CA1-7852-000 000	8		CB1-3376-000 000	3
	CA1-8666-050 000	3		CB1-3377-000 000	3
	CA1-8798-000 000	10		CB1-3381-000 000	3
	CA1-9328-000 000	3		CB1-3388-000 000	3
	CA1-9427-000 000	1,2		CB1-3390-000 000	3
	CA1-9602-000 000	10		CB1-3399-000 000	2
	CA4-0390-000 000	12		CB1-3401-000 000	1
	CA4-4411-000 000	12		CB1-3402-000 000	4
	CA4-4851-000 000	12		CB1-3403-000 000	4
	CB1-0183-000 000	10,11		CB1-3408-000 000	1
	CB1-1133-000 000	6		CB1-3409-000 000	2
	CB1-1142-000 000	6		CB1-3414-000 000	9
	CB1-1163-000 000	7		CB1-3416-000 000	9
	CB1-1165-000 000	7		CB1-3417-000 000	9
	CB1-1173-000 000	4		CB1-3418-000 000	9
	CB1-1180-000 000	5		CB1-3419-000 000	7
	CB1-1181-000 000	5		CB1-3420-000 000	7
	CB1-1189-000 000	5		CB1-3421-000 000	4
	CB1-1197-000 000	5		CB1-3428-000 000	9
	CB1-1225-000 000	7		CB1-3441-000 000	6
	CB1-1285-000 000	10		CB1-3442-000 000	6
	CB1-1589-000 000	10		CB1-3443-000 005	6
	CB1-2032-000 000	8		CB1-3443-000 010	6
	CB1-2044-000 000	8		CB1-3443-000 012	6
	CB1-3341-000 000	7		CB1-3443-000 015	6
	CB1-3350-000 000	2		CB1-3443-000 018	6
	CB1-3353-000 000	2		CB1-3451-000 000	6
	CB1-3354-000 000	7		CB1-3456-000 000	5
	CB1-3355-000 000	7		CB1-3461-000 000	5
	CB1-3356-000 000	7		CB1-3462-000 000	1
	CB1-3357-000 000	7		CB1-3463-000 000	1
	CB1-3358-000 000	7		CB1-3468-000 000	4
	CB1-3359-000 000	10,11		CB1-3470-000 000	2
	CB1-3361-000 000	10		CB1-3475-000 000	7
	CB1-3363-000 000	10		CB1-3478-000 000	5
	CB1-3364-000 000	10		CB1-3479-000 000	6
	CB1-3365-000 000	10		CB1-3783-000 000	9
	CB1-3366-090 000	10,11		CB1-3784-000 000	9

INDEX OF PARTS LIST

REF. NO. C12-8476/8477
C12-8478/8479

NEW	PARTS NO.	PAGE	NEW	PARTS NO.	PAGE
	CB1-3785-000 000	9	*	CB2-1677-000 000	1
	CB1-3786-000 000	10,11	*	CB2-1678-000 000	1
	CB1-3787-000 000	10,11	*	CB2-1679-000 000	3
	CB1-3788-000 000	2	*	CB2-1680-000 000	1
	CB1-3789-000 000	2	*	CB2-1681-000 000	1
	CB1-3792-000 000	7	*	CB2-1682-000 000	1
	CB1-3793-000 000	10,11		CB4-0283-000 000	12
	CB1-3794-000 005	6		CF1-1948-000 000	6
	CB1-3794-000 010	6		CF1-2794-000 000	8
	CB1-3794-000 012	6		CF1-2795-000 000	8
	CB1-3794-000 015	6		CF1-2876-000 000	9
	CB1-3794-000 020	6		CF1-2878-000 000	9
	CB1-3794-000 025	6		CF1-2879-000 000	9
	CB1-3794-000 030	6		CF1-2880-000 000	9
	CB1-3794-000 035	6		CF1-2886-000 000	1
	CB1-3794-000 040	6		CF1-2887-000 000	2
	CB1-3794-000 045	6		CF1-2888-000 000	2
	CB1-3794-000 050	6		CF1-2889-000 000	2
	CB1-3794-000 055	6		CF1-2891-000 000	7
	CB1-3797-000 000	7		CF1-3632-000 000	4
	CB1-3799-000 000	6	*	CF1-3984-000 000	3
	CB1-4757-000 000	2		CG1-1321-000 000	5
	CB1-6461-000 000	3		CG1-1383-000 000	7
	CB1-6462-000 000	3		CG1-1386-000 000	2
	CB1-6463-000 000	3		CG1-1389-000 000	4
	CB1-6464-000 000	3		CG1-1507-000 000	2
	CB1-6469-000 000	3		CG1-3376-000 000	5
	CB1-6473-000 000	7		CG1-3384-000 000	5
	CB1-6477-000 000	4		CG1-3385-000 000	6
	CB1-6479-000 000	4		CG1-3676-000 000	8
	CB1-6482-000 000	1	*	CG1-3766-000 000	1
	CB1-6483-000 000	3	*	CG1-3826-000 000	1
	CB1-8328-000 000	3	*	CG1-3827-000 000	1
	CB1-8329-000 000	3	*	CG1-3828-000 000	1
	CB1-8330-000 000	3		CG9-0514-000 000	4
*	CB2-1670-000 000	3	*	CG9-0600-000 000	4
*	CB2-1672-000 000	3		CH2-5111-000 000	10
*	CB2-1674-000 000	3		CH2-5142-000 000	1
*	CB2-1675-000 000	3		CH2-6128-000 000	4
*	CB2-1676-000 000	1		CH4-0532-000 000	10

INDEX OF PARTS LIST

REF. NO. C12-8476/8477
C12-8478/8479

NEW	PARTS NO.	PAGE	NEW	PARTS NO.	PAGE
	CH4-0641-000 000	13		CY3-1080-000 000	11
	CH4-0642-000 000	13		CY3-1306-000 000	10
	CH5-0143-000 000	4	*	CY3-1366-000 000	1
	CS2-0965-000 000	9	*	CY3-1367-000 000	5
	CS2-0966-000 000	9		WA2-5620-000 000	13
	CS2-0969-000 000	9		WA4-5457-000 000	13
	CS2-0970-000 000	9		WA4-6332-000 000	13
	CS2-0971-000 000	9		X71-9749-000 000	2
	CS2-0972-000 000	9		X99-0423-000 000	4
	CS2-0974-000 000	2		X99-0470-000 000	10
	CS2-0975-000 000	2		X99-0569-000 000	7
	CS2-0976-000 000	2		X99-0685-000 000	3,10
	CS2-3233-000 000	10,11		XA1-3170-507 000	3
	CS2-3301-000 000	3		XA1-7170-357 000	3
	CS2-5020-000 000	6		XA1-7170-407 000	10
	CS2-5507-050 000	2		XA4-3170-307 000	7
	CS2-5651-000 000	9		XA4-3170-459 000	10
	CS2-5654-000 000	7		XA4-4140-457 000	8
	CS2-5656-000 000	3		XA4-6170-307 000	3
	CS2-6364-000 000	9		XA4-6200-457 000	4
	CS2-6365-000 000	9		XA4-6200-809 000	7
	CS2-6367-000 000	5		XA4-9170-257 000	3,10
	CS2-6966-000 000	10,11		XA4-9170-287 000	4
	CS2-6970-000 000	5		XA4-9170-309 000	5
	CS2-6971-000 000	5		XA4-9170-357 000	4,7,9
	CS3-6112-000 000	3		XA4-9170-407 000	2
	CY1-1610-000 000	6		XA4-9170-409 000	5,9
	CY1-1851-000 000	7		XA4-9170-457 000	1,4,7
	CY1-1852-000 000	6		XA4-9170-459 000	3,4,5,6
	CY1-1853-000 000	9		XA4-9170-507 000	4,5,7,9
	CY1-1854-000 000	9		XA4-9170-559 000	6
	CY1-1855-000 000	5		XA4-9170-707 000	4
	CY1-1856-000 000	9		XA4-9200-457 000	2
	CY1-1857-000 000	2		XA4-9200-557 000	4
	CY1-1974-002 000	3		XD2-1100-132 000	3
*	CY1-4303-000 000	12		XD2-1100-502 000	12
	CY3-0005-000 000	12		Y11-3402-000 000	13
	CY3-0025-000 000	12		Y11-3403-000 000	13
	CY3-1001-000 000	2		Y11-3702-000 000	13
	CY3-1003-000 000	2		Y11-3703-000 000	13

INDEX OF PARTS LIST

REF. NO. C12-8476/8477
C12-8478/8479

NEW	PARTS NO.	PAGE	NEW	PARTS NO.	PAGE
	Y11-3901-000 000	13			
	Y11-3902-000 000	13			
	Y11-3903-000 000	13			
	Y11-3904-000 000	13			
	Y11-3906-000 000	13			
	Y11-3907-000 000	13			
	Y11-3909-000 000	13			
	Y11-3911-000 000	13			
	Y11-3914-000 000	13			
	Y11-5001-000 000	13			
	Y11-5011-000 000	13			
	YN2-9165-000 000	6			
	YN2-9340-000 000	6			
	YP2-9397-000 000	6			