

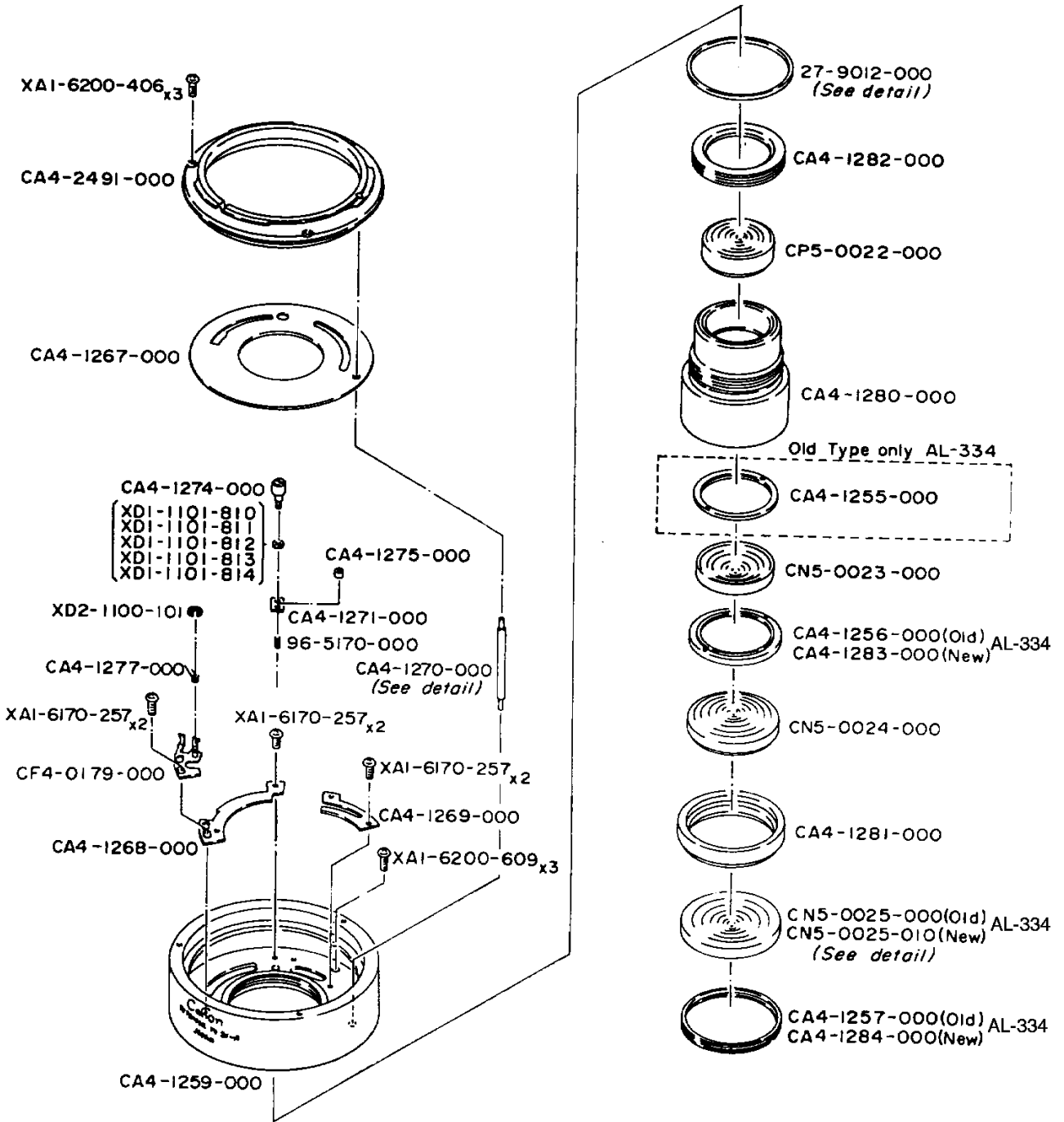
Canon

EXTENDER FD 2X-A

C54-3662

**PARTS
CATALOG**

EXTENDER FD 2X-A

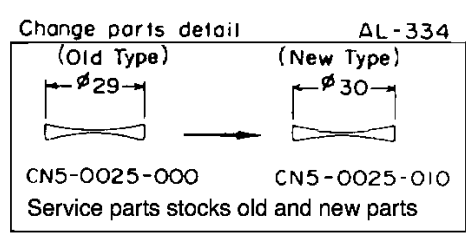


CA4-1270-000 detail

A	SIZE
35.14mm	(014)
35.19mm	(019)
35.24mm	(024)

27-9012-000 detail

A	SIZE
1.40mm	(140)
1.42mm	(142)
1.44mm	(144)
1.46mm	(146)
1.48mm	(148)
1.50mm	(150)
1.52mm	(152)
1.54mm	(154)
1.56mm	(156)
1.58mm	(158)
1.60mm	(160)

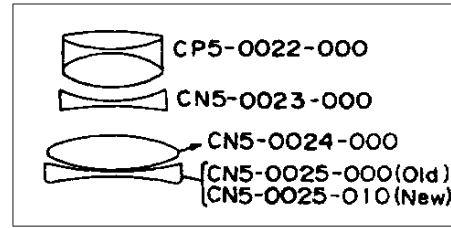


PARTS LIST

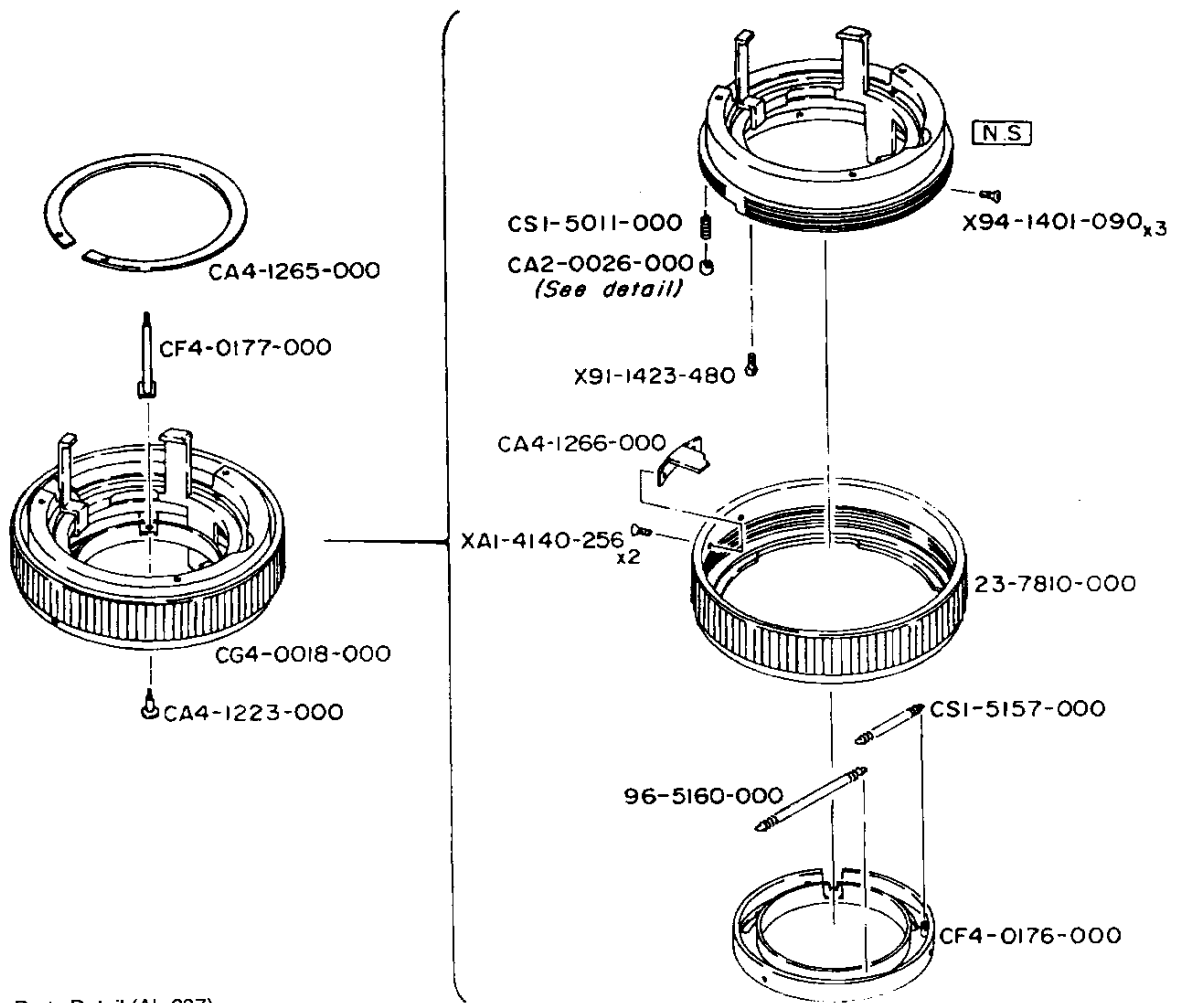
REF.NO.C54-3662

Report.No.	NEW	PARTS NO.	CLASS	QTY	DESCRIPTION
		27-9012-000	D	1	WASHER, ADJUSTING
		(ENTER SIZE WHEN ORDERING, SEE DETAIL)			
		96-5170-000	D	1	SPRING, COIL
AL-334		CA4-1255-000	E	1	COLLAR, ASSEMBLY
AL-334		CA4-1256-000 (Old)	E	1	COLLAR, ASSEMBLY
AL-334		CA4-1257-000 (Old)	E	1	COLLAR, ASSEMBLY
		CA4-1259-000	D	1	BODY, EXTENDER
		CA4-1267-000	D	1	MASK
		CA4-1268-000	D	1	SHIELD, LIGHT
		CA4-1269-000	D	1	SHIELD, LIGHT
		CA4-1270-000	D	1	PIN, EE COUPLING
		(ENTER SIZE WHEN ORDERING, SEE DETAIL)			
		CA4-1271-000	D	1	PLATE, COUPLING
		CA4-1274-000	C	1	PIN, MAX. APERTURE CORRECTION
		(XD1-1101-810)		1	WASHER
		(XD1-1101-811)			
		(XD1-1101-812)			
		(XD1-1101-813)			
		(XD1-1101-814)			
		CA4-1275-000	D	1	NUT
		CA4-1277-000	D	1	SPRING, RESTRICTION
		CA4-1280-000	E	1	BARREL, INTERMEDIATE
		CA4-1281-000	E	1	COLLAR, ASSEMBLY
		CA4-1282-000	D	1	COLLAR, ASSEMBLY
AL-334		CA4-1283-000 (New)	E	1	COLLAR, ASSEMBLY
AL-334		CA4-1284-000 (New)	E	1	COLLAR, ASSEMBLY
		CA4-2491-000	D	1	MOUNT, EXTENDER
		CF4-0179-000	D	1	PLATE, RESTRICTION
		CN5-0023-000	E	1	LENS, G4
		CN5-0024-000	E	1	LENS, G5
AL-334		CN5-0025-000 (Old)	E	1	LENS, G6
AL-334		CN5-0025-010 (New)	E	1	LENS, G6
		CP5-0022-000	E	1	LENS, G1/2/3
		XA1-6170-257		6	SCREW
		XA1-6200-406		3	SCREW
		XA1-6200-609		3	SCREW
		XD2-1100-101		1	E RING

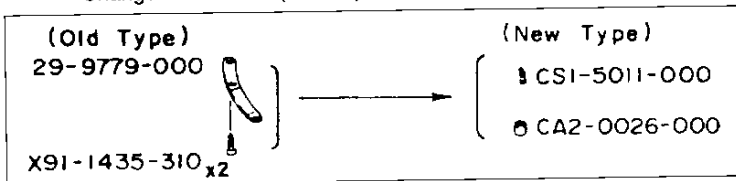
EXTENDER FD 2X-A



AL-334



Change Parts Detail (AL-237)



PARTS LIST

REF.NO.C54-3662

Report.No.	NEW	PARTS NO.	CLASS	QTY	DESCRIPTION
		23-7810-000	C	1	RING, BAYONET
		29-9779-000	D	1	SPRING, LOCK
		96-5160-000	D	1	SPRING, COIL
		CA2-0026-000	D	1	PIN, LOCK
		CA4-1223-000	C	1	PIN, MAX. APERTURE CORRECTION
		CA4-1265-000	D	1	WASHER, SNAP
		CA4-1266-000	D	1	STOPPER, BAYONET
		CF4-0176-000	D	1	COVER, REAR
		CF4-0177-000	D	1	BAR, COUPLING
		CG4-0018-000	D	1	LENS MOUNT UNIT
		CN5-0023-000	E	1	LENS, G4
		CN5-0024-000	E	1	LENS, G5
AL-334		CN5-0025-000 (Old)	E	1	LENS, G6
AL-334		CN5-0025-010 (New)	E	1	LENS, G6
		CP5-0022-000	E	1	LENS, G1/2/3
		CS1-5011-000	D	1	SPRING, COIL
		CS1-5157-000	D	1	SPRING, COIL
		X91-1423-480		1	SCREW, SLOTTED, FFH
		X91-1435-310		2	SCREW
		X94-1401-090		3	SCREW, SLOTTED, FCH
		XA1-4140-256		2	SCREW